

38423-BX

9V Battery Box

Convenient plastic battery box holds single 9V battery.

Latching cover.

2 hole screw mount

Includes Battery snap with 6in. leads

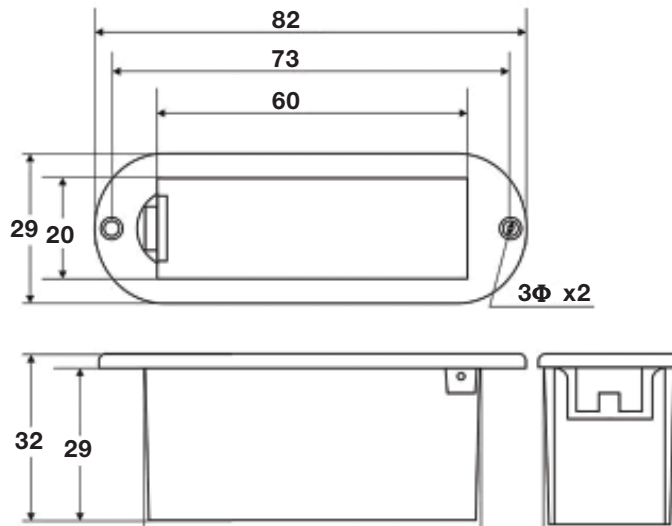
Cutout: 62mm x 24mm

L: 82mm (3-3/16") O/A **W:** 29mm (1-1/8")

T: 32mm (1-1/4") **WT:** .04



Cutout: 62mm x 24mm



Information including Drawings, Schematics, Links and Code (Software) Supplied or Referenced in this Document is supplied by MPJA inc. as a service to our customers and accuracy or usefulness is not guaranteed nor is it an Endorsement of any particular part, supplier or manufacturer. Use of information and suitability for any application is at users own discretion and user assumes all risk.

Information Subject to Change Without Notice
All rights are retained by the respective Owners/Author(s)



MARLIN P. JONES & ASSOC., INC.

P.O. Box 530400 Lake Park, FL 33403

800-652-6733 FAX 561-844-8764

WWW.MPJA.COM